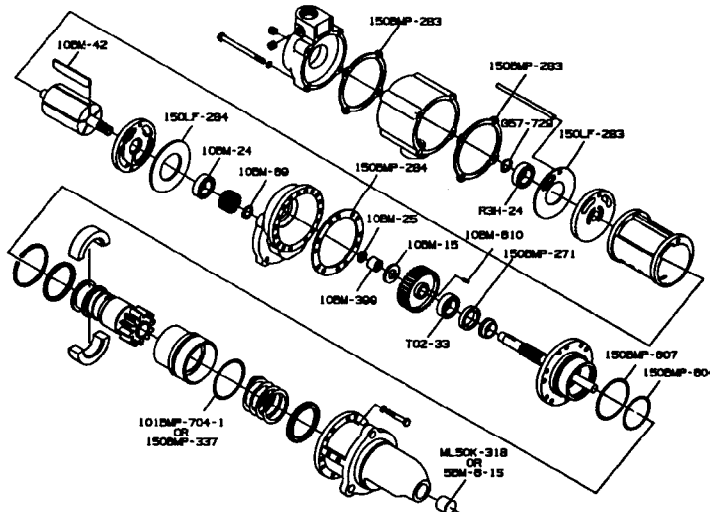


Genuine

Ingersoll-Rand Replacement Parts

150BM-TK2 TUNE-UP KIT



150BMP Air Starter (Models C and E)

(Dwg. TPA685-5)

This GENUINE Ingersoll-Rand Tune-up Kit contains the following parts:

PART NUMBER	PART NAME (Description)	QUANTITY
G57-729	Rear Rotor Bearing Retainer (snap ring)	1
R3H-24	Rear Rotor Bearing (5/8" x 1-7/8" Shielded bearing)	1
10BM-24	Front Rotor Bearing (3/4" x 2-1/16" shielded bearing)	1
150LF-283	Motor Housing Cover Gasket (perforated cork gasket)	1
10BM-42	Vane	5
150LF-284	Gear Case Gasket	1
10BM-69	Rotor Pinion Retainer ("C" ring)	1
10BM-399	Drive Shaft Rear Bearing (3/4" I. D. x 1" O.D. x 5/8" lg roller bearing)	1
10BM-15	Drive Gear Thrust Washer (fiber thrust washer)	1
10BM-610	Drive Gear Key (1/4" x 1/4" x 5/8" key)	1
T02-33	Drive Shaft Front Bearing (3/4" x 1-7/8" open ball bearing)	1
150BMP-271	Drive Shaft Grease Seal (Garlock seal)	1
150BMP-607	Gear Case Cover Seal (3-1/8" dia O-ring)	1
150BMP-604	Piston Seal (2-7/8" dia O-ring)	1
101BMP-704-1	Piston Ring (3-5/16" dia steel ring)	1
5BM-6-1S	Drive Housing Bushing (bronze bushing)	1
ML50K-318	Drive Housing Bearing (3/4" I.D. x 1" O.D. x 3/4" lg roller bearing)	1
*9BM-642	Bushing Oiler (felt strip)	1
150BMP-337	Piston Ring (for 150BMPE83LH-11 only)	1
10BM-25	Bearing Ejecting Washer	1
150BMP-283	Gasket	2
150BMP-284	Gasket	1

* Not Illustrated.

See front and back pages for illustrations.

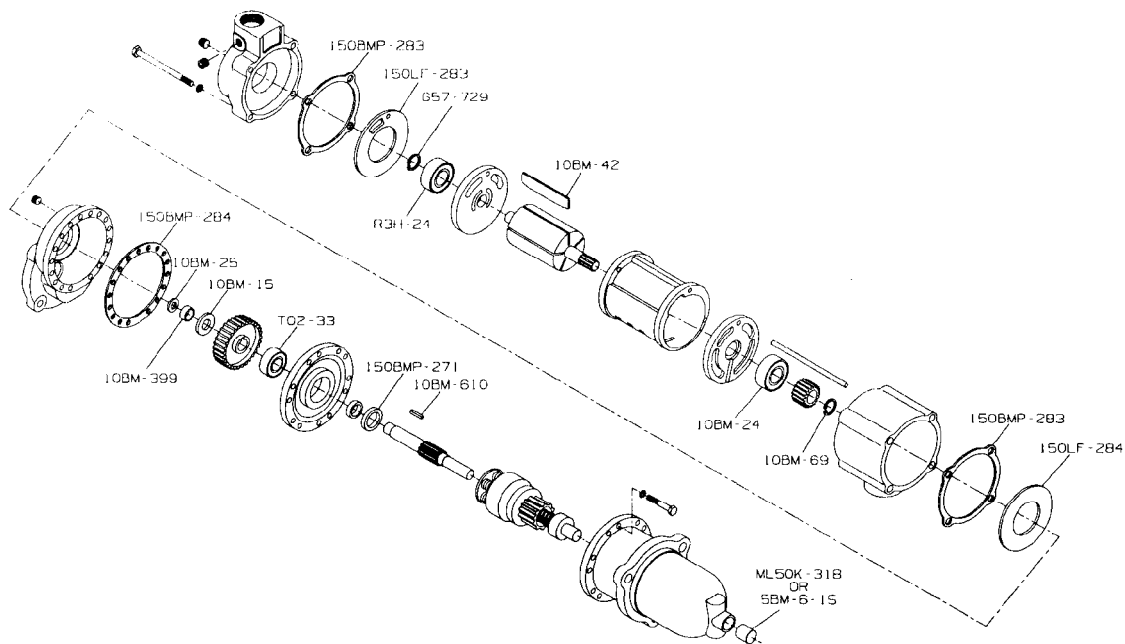
For further information, refer to the following form:

Model	150BM	150BMP Models C and E
Parts Bulletin	6031	P6628

© Ingersoll-Rand Company 1996
Printed in U.S.A.

INGERSOLL-RAND.
ENGINE STARTING SYSTEMS

Form K6031
Edition 10
03536943
August, 1996
(OVER)



150BM Air Starter

(Dwg. TPA684-4)